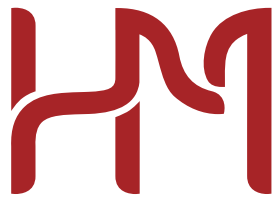


HUNDRED MACHINERY

ENTERPRISE CO.,LTD.



HUNDRED MACHINERY



百城機械企業股份有限公司

www.hmfood.com



HUNDRED MACHINERY



HUNDRED MACHINERY COMPANY



Established in 1996, Hundred Machinery Co., Ltd. has been a professional food machinery manufacturer in Taiwan, importing used machine of Rheon and Korbird of Japan, renovating them to 80% new for sell. Years of disassembling, assembling and repairing experiences result in teams of experts with solid skills and thoughtful services.

Providing fine machines for high quality food production with superior productivity has been our goals. Since 2007, Hundred Machinery has developed machines with new functions for foods of different cultures, textures and features. We have been launching new food forming machines under our brand name Hundred Machinery with optional devices and accessories for production lines. Filled foods, dumplings, steamed bun, bakery foods and confectioneries of all kinds can be produced by automatic encrusting machines of Hundred Machinery.



"We are not just selling machines. We are selling boutiques," said Kevin Tsai, CEO of Hundred Machinery. Kevin valued customers' experiences greatly and aimed to provide our VIP guest around the world with top-quality services. Since 2012, Hundred Machinery has invested over 8 million US dollars in the construction of the 9,917 square meter new headquarter. To carry out the services, Hundred Machinery had well-known interior designer to design the new headquarter like a five-star hotel than a machinery manufacturing plant. Customers will be welcomed with modern architecture, designed garden and cutting-edge automatic encrusting machines displayed in the show room. With tours given by our sales team and Kevin, we determine to change our customers' impression of machine factory and impressed them with hospitality and sincerity.



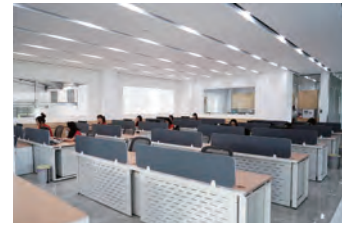
Lobby
大廳



Show room
展示室



Conference room
會議室



Sales department
業務部

Kevin believed that integration service is the future and adding value is the key. Unifying prominent companies of foods and ingredients suppliers, Hundred Machinery composed a Dream Team to research and develop food productions with automated equipment. We have not only improved the machines but also the recipes of food products, actively developing over 15 new products every year. All these efforts were made to save our customers time and costs on researching for production methods and procedures. With high quality food products and efficient production by multi-functional machines, Hundred Machinery will provide turnkey solutions to boost your business.



百城機械企業有限公司創建於1996年，以專精到位的技術，將日本知名品牌 Rheon、Kobird 中古包餡機，復新到至少八成新後出售。日積月累，憑藉多年來對包餡機拆卸、組裝、維修的卓越經驗，奠定百城強而穩固的技術團隊及產業服務根基。

一直以來，提供「保持手工品質，同時高效生產」的高品質自動包餡機，是百城的使命。從2007年開始，精進的技術團隊針對不同國家飲食文化、口感及特色，不斷改良、創新機具的性能，陸續推出HM食品自動包餡成型機，機型配備一應齊全，包餡類食品、餃子類、包子饅頭、糕餅點心、春捲皮等各式烘焙產品，都可使用HM自動包餡成型機來生產符合世界各地期待的一流美食。

到達百城機械台南的總公司，綻放綠意的現代感建築物即讓人眼前為之一亮。百城總經理蔡承諺先生非常重視客戶的感受，立志「以五星級的服務氛圍，招待來自全球VIP客戶」，2012年開始著手規劃台灣總公司新廠，斥資2.5億元興建占地2,000坪新廠(建坪3,000坪)，邀請知名裝潢設計師操刀設計，以五星級高規格元素構思格局，汲取精品店概念來設計外觀，一舉跳脫傳統工廠鐵皮屋的既定印象。蔡承諺先生提到：「我們賣的不是機器，我們賣的是一件精品！」因此踏入總公司，將會看到宛如名牌精品般的自動包餡成型機，按照機型、年份、功能一字排開在明亮的展示室。專業的產線及各項設施完備，加上總經理與協理親力親為，帶領業務團隊熱情招待前來參觀、試機、購機的全體VIP客戶，尊榮的服務精神，讓客戶感受百城最誠摯的一面。

「整合服務將是未來趨勢，為客戶創造附加價值，才是競爭力之所在。」百城總經理蔡承諺先生見識獨到，以「英雄聯盟」之名，結合國際知名原物料菁英企業，傾力合作鑽研食品配方，以機械自動化優勢提升產能，生產口感如同「手作品質」的新產品。英雄聯盟研發團隊每年維持開發超過15種以上新產品，讓客戶能獲取打樣、試產的一條龍服務，購入的機械達到一機多用，減少製程摸索與研發成本，用最快的時間、最少的花費量產高品質產品，輕鬆開創美味事業。

CONTENTS

HUNDRED MACHINERY

-
- 01 HM-001B**
Automatic Encrusting Machine
全自動包餡成型機
-
- 02 HM-88**
Automatic Encrusting Machine
全自動包餡成型機
-
- 03 HM-168**
Automatic Encrusting Machine
全自動包餡成型機
-
- 04 HM-168**
Option of HM-168
HM-168其他款式介紹
-
- 05 HM-168**
Shaping optimal attachment
HM-168各式選配品介紹
-
- 06 HM-268**
Automatic Encrusting Machine
全自動包餡成型機
-
- 07 HM-588**
Automatic Encrusting Machine
全自動包餡成型機
-
- 08 N208/N207**
Reconditioned Encrusting Machine
日本Rheon中古復新萬能包餡機
-
- 09 AN208/AN209**
Reconditioned Encrusting Machine
日本Rheon中古復新萬能包餡機 &
Reconditioned Rheon Punching Machine
中古復新排氣機
-
- 10 KN111/KN120**
Reconditioned Encrusting Machine
日本Rheon中古復新火星入包餡機
-
- 11 KN135**
Reconditioned Encrusting Machine
日本Rheon中古復新火星入包餡機
-
- 12 KN200/KN300**
Reconditioned Encrusting Machine
日本Rheon中古復新火星入包餡機
-
- 13 KN400**
Reconditioned Encrusting Machine
日本Rheon中古復新火星入包餡機
-
- 14 KN500**
Reconditioned Encrusting Machine
日本Rheon中古復新火星入包餡機
-
- 15 KN511/KN600**
Reconditioned Encrusting Machine
日本Rheon中古復新火星入包餡機
-
- 16 WN056/WN055**
Reconditioned Encrusting Machine
日本Rheon中古復新火星入包餡機
-
- 17 Production Line**
Maamoul / Moon Cake /
Pineapple Cake Processing Line
棗泥餅 / 月餅 / 鳳梨酥自動生產線一貫作業
-
- 18 Shaping Optimal Attachment**
HM-102 3D Stamping Machine /
HM-358 Ultrasonic Cutter
3D魔術手 / 超音波刀
-
- 19 Shaping Optimal Attachment**
HM-206 High Speed Type Aligning Machine /
HM-209 Extended Aligning Conveyor /
HM-326 Paper Sheeter
高速排盤機 / 伸縮排列機 / 全自動鋪紙機
-
- 20 HM-328/HM-368**
Round Pastry Dough Sheeter /
Pineapple Bun Top Sheet Dispenser
酥餅展開機 / 菠蘿皮披覆機
-
- 21 HM-668/HM-688**
Multi-function Meat Bun
Steam Bun Processing Machine
包子 / 饅頭成型機
-
- 22 HM-698**
Multi-function Meat Bun / Steam Bun
Silk Bun Processing Machine
包子 / 饅頭 / 銀絲捲成型機
-
- 23 HM-688 Production Line**
Chinese Meat Bun / Bread
Processing Line
包子 / 饅頭 / 銀絲捲自動生產線一貫作業
-
- 24 HM-610/HM-620/HM-630/
HM-660**
Auto Spring Roll Pastry Sheet Making
Machine
全自動春捲皮機系列
-
- 25 HM-868**
Multi-function Bread / Paratha
Processing Machine
麵包 / 麵糰成型機
-
- 26 HM-868 Production Line**
Automatic 18-Fold Steamed Bun Line
18摺包子自動生產線一貫作業
-
- 27 HM-868 Production Line**
Automatic 18-Fold Steamed Bun Line
18摺包子自動生產線一貫作業
-
- 28 HM-737**
Automatic Multi-purpose Forming
Machine
多功能充餡成型機
-
- 29 HM-777**
Automatic Multi-purpose Forming
Machine
多功能充餡成型機
-
- 30 HM-717**
Dumpling Forming Machine
-Sheet Type
麵帶式水餃機
-
- 31 HM-727**
Desktop Dumpling Forming
Machine
桌上型餃子機
-
- 32 HM-80**
Automatic Double Line Shumai
Forming Machine
全自動雙列燒賣成型機
-
- 33 AR-3/AR-3-III**
Reconditioned Kobird Encrusting
Machine
日本Kobird中古復新機系列
-
- 34 AR-7F-III/AR-88/AR-800**
Reconditioned Kobird Encrusting
Machine
日本Kobird中古復新機系列

Automatic Encrusting Machine
全自動包餡成型機

HM-001B

Specification 機器規格



Product Weight 10 -70g
產品重量

Capacity 3600 pcs / hr (Max.)
產能

Dimension L950 x W660 x H1670 mm ; 110kg
機台尺寸

Power Supply 1Phase , 220V , 1KW , 5A
電力

HUNDRED MACHINERY

HM-001B

HM-001B是百城機械為有空間考量的客戶所設計的小型款自動包餡成型機，重量僅有110公斤，操作簡單之外，電源也是使用一般冷氣用電（1相220伏特）。此機的外皮和內餡均可調整，不僅可做豆餡類產品，還可以做粉狀內餡的產品。此機之拆裝及清洗均很容易，在操作上簡單上手。

Features 機台特性

Size&Weight Adjustment
產品大小調整



Casing&Filling Adjustment
皮餡厚薄調整



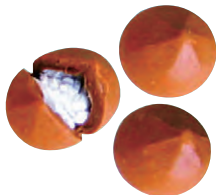
Length Range Adjustment
產品長度調整



HM-001B is designed for customers with limited spaces, weighing only 110 kilograms. HM-001B is user-friendly, hygienic and efficient for confectionery, bakery and stuffed foods production. The proportion of skin and filling is adjustable as well as the sizes, shapes and lengths.

- Adjustable product weights and sizes
- Adjustable proportion of filling and skin
- User-friendly, efficient and hygienic
- Adjustable product lengths
- Small-size, fast and easy to clean

Typical Products 製品內容



Powder Stuffing Product
粉餡產品



Filling Bar
包餡長條產品



Kala Jamun
印度蜜炸奶球



Chocolate Chips Cookies
巧克力碎片餅乾



Pyzy / Potato Balls
馬鈴薯球



Pineapple Cake
鳳梨酥



Date Bar
水果條餅乾



Kubba
中東炸肉球

Automatic Encrusting Machine

全自動包餡成型機

HM-88



Specification 機器規格

Product Weight 產品重量	10-90g
Capacity 產能	10-60 pcs / min
Dimension 機台尺寸	L1220 x W670 x H1250 mm ; 250kg
Power Supply 電力	3Phase , 220V , 0.915KW , 4.2A

HUNDRED MACHINERY

HM-88

HM-88是百城機械全新開發的小型包餡機，外型小巧不佔空間，可將餡料包入產品裡面，並自動將產品做成球狀、棒狀、長條狀，採用電腦板式操作，可任意記憶100組產品，操作者只要簡單的將記憶在電腦板裡面的產品讀出來，即可以迅速的投入生產。藉由更換造型模子之後，還可以製作特殊造型的產品。

Features 機台特性

Size&Weight Adjustment 產品大小調整	Casing&Filling Adjustment 皮餡厚薄調整	Length Range Adjustment 產品長度調整
		

HM-88 is a multi-functional encrusting machine for stuffed foods. Small in size, HM-88 takes up less space, which is suitable for small or medium bakeries and restaurants. Users can control the speed to adjust the proportion of skin and fillings, forming balls, bars, sticks and etc. Additionally, HM-88 can produce foods with different shapes and designed patterns with customized molds. With computer control system, HM-88 can record 100 sets of product data, assisting users to manage production process with precision.

- Adjustable product weights and sizes
- Adjustable proportion of filling and skin
- User-friendly, efficient and hygienic
- Adjustable product lengths
- Small-size, fast and easy to clean
- 100 sets of data record

Typical Products 製品內容



Tangyuan
湯圓



Chocolate Chips Cookies
巧克力碎片餅乾



Egg Yolk Cake
蛋黃酥



Pastries
綠豆椪



Kibbeh
中東炸肉球



Coxinha
巴西雞肉球



Arancini
義式燉飯球



Churros
吉拿棒

Automatic Encrusting Machine (High Speed Type)
全自動包餡成型機

HM-168



IN 2010 RECOGNITION OF WINNING
THE SILVER CREATION AWARD.
榮獲2010年度國家發明創作獎

Specification 機器規格

Product Weight 產品重量	10-150g
Capacity 產能	6000 pcs / hr (Under 40g)
Dimension 機台尺寸	L1550 x W900 x H1300 mm ; 365kg
Power Supply 電力	3Phase , 220V , 2 KW , 6A



MAX
SPEED
最高速度

100 pcs / min
類 / 分鐘

HUNDRED MACHINERY

HM-168

HM-168是一款擁有七國專利的多功能包餡成型機，且於2010年榮獲國家發明創作獎的銀牌，可自動將餡料包入產品內並自動將產品製成球狀棒狀長條狀。以最快100個/分鐘（小於45公克時）的高生產速度製作烘焙糕點、餅乾點心及肉類魚漿加工調理類等日常生活中大家耳熟能詳的食品。更為了肉類魚漿加工調理類產品研發白鐵相關選配項目，提供食品廠家多元化的選擇。

Features 機台特性



- Adjustable product weights and sizes
- Adjustable product lengths
- Adjustable proportion of filling and skin
- Won the silver medal of the National Invention and Creation Award of Taiwan in 2010
- User-friendly, efficient and hygienic
- Stainless steel accessories for meat and fish products
- Optional devices for diverse forms and appearances
- 100 sets production data record

Typical Products 製品內容



Fish Balls
魚漿



Meat Balls
包餡貢丸



Double-Filling Mochi
雙餡麻糬



Meat Dumpling
肉圓



Kubba
中東炸肉球



Maamoul
棗泥餅



Pineapple Cake
鳳梨酥



Icebox Cookies
馬賽克餅乾

OPTION OF HM-168

HM-168其他款式介紹



HM-168 III 加裝雙重餡裝置款

**HM-168 With
Double Filling Feeder**



HM-168彩色液晶人機介面款

**HM-168
With touch Panel**



HM-168白鐵款

**HM-168
Stainless Steel Type**



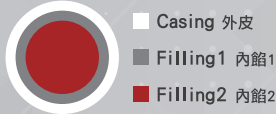
HM-168 SHAPING OPTIONAL ATTACHMENT

HM-168各式選配件介紹

Double Filling Feeder For making double filling in product
 雙重餡裝置 · 應用於第二層餡料充填

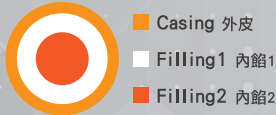
Double Filling Feeder-Pressurized Type 落地型雙重餡裝置

stuffing like bean paste or minced meat
 應用於餡料材質 如豆沙餡等充填



Jam Filling Feeder 果醬機

Suitable for liquid stuffing
 like cream, jam
 應用於液態狀如奶油
 果醬等流質餡料充填

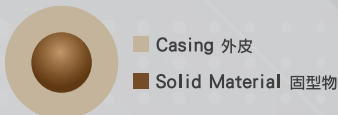


Solid Filling Feeder 固型物裝置

For stuffing solid material inside product like tomato, egg yolk, nut, olive, available to use for making maamoul or snacks.
 可包入整顆完整番茄、栗子、蛋黃、蔓越莓、榛果、橄欖花生等固體食材，可應用於鳳梨酥、麻糬、月餅等產品製作

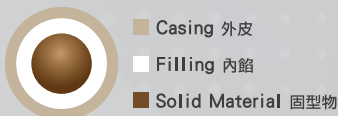


Outer with solid filling
 單顆包入



Flower cookies with Hazelnut
 榛果彩球餅

Outer with filling and solid filling
 皮餡單顆包入



Cake with Tomato
 番茄內餡

Open Top Pizza Shutter 開口披薩刀

For making open top product 應用於上緣開口產品包餡



Kubba Shutter 雙頭尖特殊刀

For making oval shape product 應用於製作雙頭尖產品



Guillotine Cutter 造型餅乾切斷器



Twist Device 雙色麻花捲裝置



Slit Turning Nozzle (Oblique outer type) 旋轉產品凸版



Slit Turning Nozzle (Oblique inner type) 旋轉產品平版



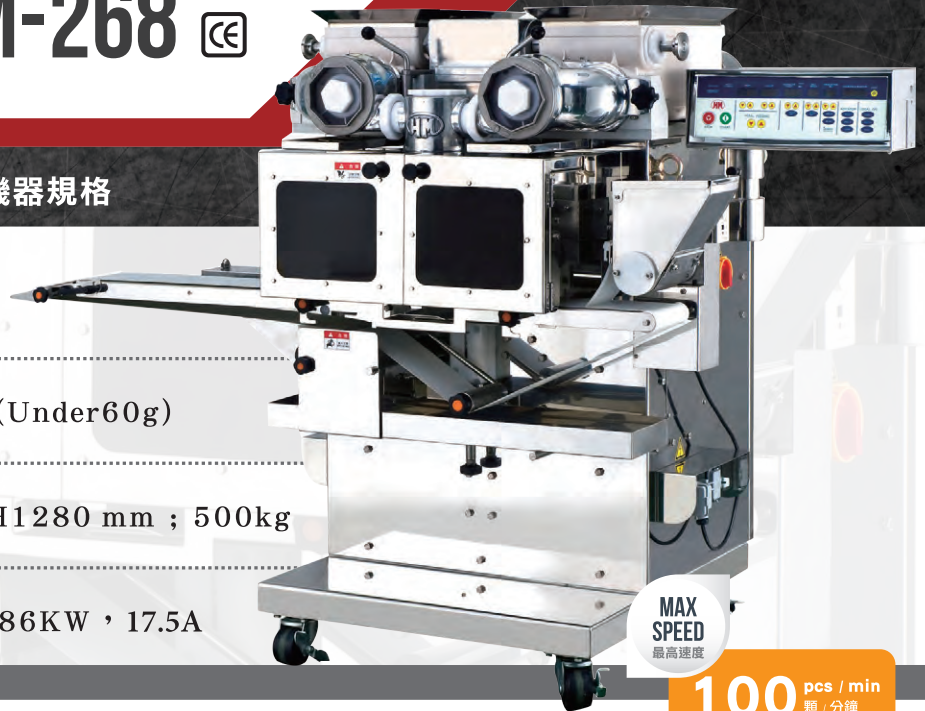
Automatic Encrusting Machine

全自動包餡成型機

HM-268

Specification 機器規格

Product Weight 產品重量	10~300g
Capacity 產能	Max100 pcs / min (Under60g)
Dimension 機台尺寸	L1730 x W950 x H1280 mm ; 500kg
Power Supply 電力	3Phase , 220V , 3.86KW , 17.5A



HUNDRED MACHINERY

HM-268

HM-268是HM-168的升級版，擁有多國專利，台灣製造，專門用於生產烘焙餅類、點心類及肉類魚類將加工調理類等日常生活中大家所熟悉食品的包餡成型機。此機器是一款高速、單機多功能、操作簡單、清潔方便的食品包餡機。不論是產品大小、皮餡比例、產品長度皆能通過電腦控制面板來調整。使用者可另外加裝配備和特殊模具製作各式各樣的雙重內餡產品，提升競爭力，使產品多樣化。

Features 機台特性



- Adjustable product weights and sizes
- Adjustable product lengths
- Adjustable proportion of filling and skin
- High speed and multifunction
- Optional devices for diverse forms and appearances
- Special accessories for four-color products

Typical Products 製品內容



Designed Cookies
造型餅乾



Moon Cake
廣式月餅



Focaccia
佛卡夏



Bread Stick
麵包棍



Pretzel
德國結麵包



Pryanik
俄羅斯薑餅麵包



Buuz
包子



Scotch Egg
蘇格蘭蛋



HM-588



Specification 機器規格

Product Weight 產品重量	10-300g
Capacity 產能	10-90pcs / min
Dimension 機台尺寸	L1660 x W923 x H1380 mm ; 545kg
Power Supply 電力	3Phase , 220V , 4.5KW , 20.5A

Preserving the textures
and tastes
不破壞原料 保有食材原有口感

HUNDRED MACHINERY

HM-588

HM-588為百城機械全新打造的多功能包餡機，新設計，新特點，特殊整流器45度角設計，可減少機內原料殘留，獨特推料系統，料斗和整流器為獨立馬達控制轉速，出餡順暢，可減少材料過度擠壓，避免麵糰及原料損傷，保有食材原有口感。為因應各種不同產品要求，擁有專利設計2段式切刀位置調整，讓產品外皮厚薄度更平均，產品包覆得更均勻。

Features 機台特性



- Adjustable product weights and sizes
- Adjustable product lengths
- Adjustable proportion of filling and skin
- User-friendly, efficient and hygienic
- 45-degree extrusion flow controllers
- 2-phase shutter system for even skin and crust
- Compatible with additional feeder, shutter and shaper
- Stainless steel optional devices for meat and fish production

Typical Products 製品內容



Five-layer Pastry
五重菓



Double Yolk Mooncake
雙蛋黃月餅



Open Top Pizza
開口披薩



18-Fold Steamed Bun
18摺包子



Designed Cookies
造型餅乾



Mochi Ice Cream
冰淇淋麻糬



Meat Pie
漢堡排



Vegan Meatball
植物素肉丸

Reconditioned Rheon N207/N208 Encrusting Machine

日本Rheon中古復新萬能包餡機

RHEON N207/N208

Specification 機器規格

Product Weight 產品重量

- ① 10-300g (Different According to Encrusting Unit)
- ② 10-300g (Different According to Encrusting Unit)

Capacity 產能

- ① 35 pcs / min
- ② 20-40 pcs / min

Dimension 機台尺寸

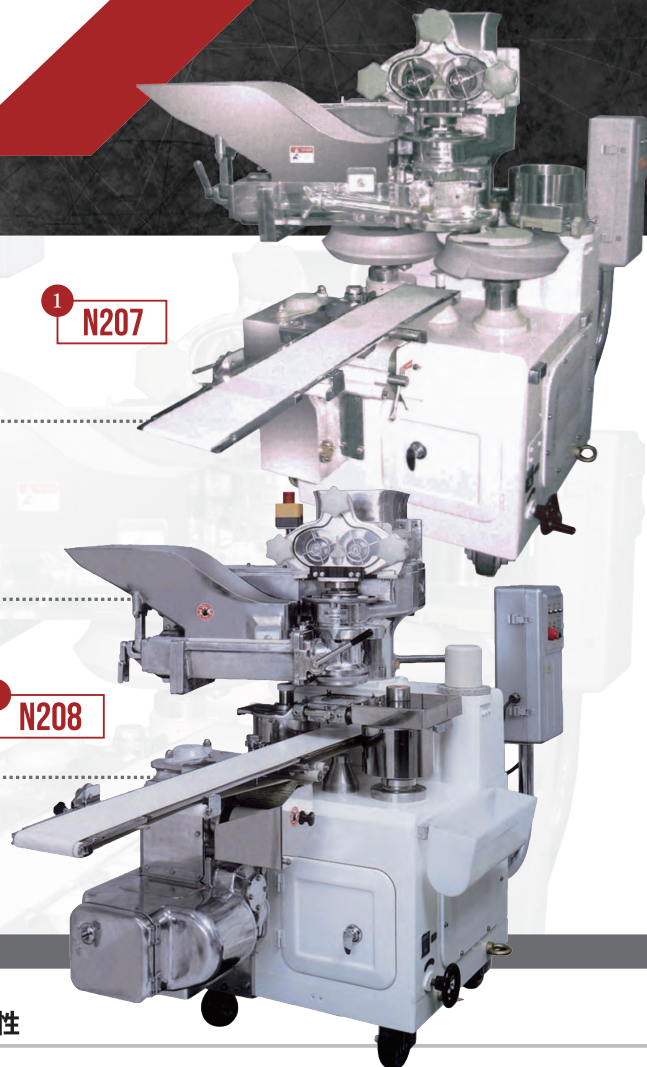
- ① L1860 x W1010 x H1310 mm ; 450kg
- ② L2060 x W1160 x H1350 mm ; 500kg

Power Supply 電力

- ① 3Phase , 220V , 1.5KW , 7A
- ② 3Phase , 220V , 2.2KW , 10A

1 N207

2 N208



HUNDRED MACHINERY

RHEON N207/N208

Features 機台特性

Size&Weight Adjustment 產品大小調整	Casing&Filling Adjustment 皮餡厚薄調整	Length Range Adjustment 產品長度調整
	<ul style="list-style-type: none"> 1 2 	

- 單機多用途，可以球狀成型、棒狀成型、連續棒狀成型。
- 產品重量、皮餡厚薄比例、生產速度皆可調整。
- N207另可加裝二次成型配備。
- N208可外加雙重餡裝置、固型物裝置、乾粉裝置使產品多樣化。

- Adjustable product weights and sizes
- Adjustable product lengths
- Adjustable proportion of filling and skin
- Adjustable product weights, sizes, lengths and proportion of filling and skin
- User-friendly, efficient and hygienic
- One-year warranty, parts replacement and technical support
- Efficient, multifunctional and user-friendly for N208

Typical Products 製品內容



Moon Cake
月餅



Pineapple Cake
鳳梨酥



Glutinous Rice Balls
湯圓



Sweet Bun
流沙包

Reconditioned Rheon AN208/AN209 Encrusting Machine

日本Rheon中古復新包餡機 &

Reconditioned Rheon Punching Machine中古復新排氣機

RHEON AN208/AN209

Specification 機器規格

Product Weight 產品重量 / **Punch time** 打擊時間

- ① 15-300g(Different According to Encrusting Unit)
- ② 0-210 / sec

Capacity 產能

- ① 35 pcs / min
- ② 8 / times

Dimension 機台尺寸

- ① L1930 x W1235 x H1345 mm ; 500kg
- ② L900 x W640 x H788 mm

Power Supply 電力

- ① 3Phase , 220V , 1.88KW , 8.5A
- ② 3Phase , 220V , 3.7KW , 17A



1 AN208/AN209



2 RECONDITIONED RHEON PUNCHING MACHINE 中古復新排氣機

HUNDRED MACHINERY

RHEON AN208/AN209

- 藉由加裝冰水循環系統，可製作發酵麵糰產品如小餐包、包子、並保有麵糰Q軟口感。
- 電腦面板控制，產品重量、皮餡厚薄比例、生產速度皆可隨意調整。
- 電腦可記憶100組產品編號，生產前只需編號讀出便可自動生產。
- 另可加裝二次整形器、雙重包餡裝置，也可更換成圓盤或切刀座來成型各種不同材質產品。

Features 機台特性

Rheon AN208/ AN209 are suitable for fermented dough products with water cooling system. The special extrusion and flow controllers design preserved the texture of leavened dough, creating breads and buns with fine quality. Also, the weight of products, the speed and the proportion of fillings and skins are adjustable. Optional accessories, secondary shaper, molding disks and shutters are also available for different products.

- Adjustable product weights, sizes and lengths, proportion of filling and skin
- User-friendly, efficient, multifunctional and hygienic
- One-year warranty, parts replacement and technical support
- Optional accessories and devices for different fillings and shapes
- Preserving fine texture for fermented dough
- Enhancing dough quality with Rheon Punching Machine before encrusting

Typical Products 製品內容



Dinner Roll
小餐包



Red Bean Paste Bun
紅豆麵包



Double-Filling Steamed Bun
流心雙餡包子



Sweet Bun
流沙包

Reconditioned Rheon KN111/KN120 Encrusting Machine

日本Rheon中古復新火星人包餡機

KN111/KN120

Specification 機器規格

Product Weight 產品重量

- ① 10-90g
- ② Round Shape 10-90g ; Bar Shape 10-150g

Capacity 產能

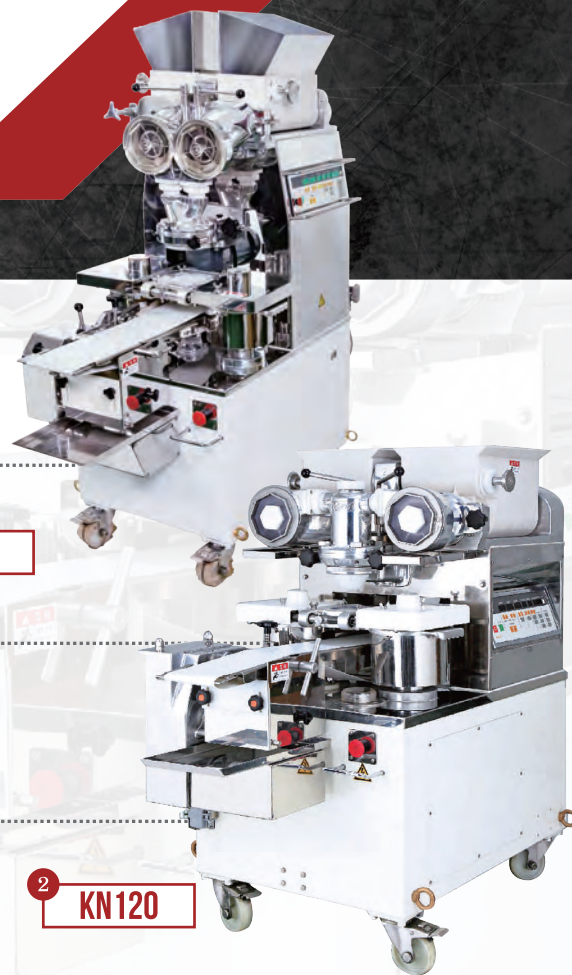
- ① 10-40 pcs / min
- ② 10-40 pcs / min ; 10-60 pcs / min

Dimension 機台尺寸

- ① L1210 x W570 x H1520 mm ; 215kg
- ② L1400 x W650 x H1250 mm ; 250kg

Power Supply 電力

- ① 3Phase , 220V , 0.7 KW , 3.2A
- ② 3Phase , 220V , 0.915 KW , 4.2A



HUNDRED MACHINERY

KN111/KN120

- 機型輕巧，單機多用途，可以球狀成型、棒狀成型、連續棒狀成型。
- 產品重量、皮餡厚薄、生產速度皆可調整。
- 適合多樣化材質、柔軟黏膩產品亦相當適合。
- 由電腦控制，可記憶100組產品特性。
- KN120另可外加雙重餡裝置、固型物裝置、乾粉裝置使產品多樣化。

Features 機台特性

Rheon KN111/KN120 encrusting machine can process materials of diverse texture and character to fill and form multiple products. Users can make product into ball, bar, long stick and more. Also, the weight of products and the proportion of fillings and skins are adjustable. KN111 and KN120 can record 100 sets of product data, assisting users to manage production process with ease. Additionally, KN120 is compatible with optional accessories, like double filling feeder, solid filling feeder and powder filling feeder.

- Sustainable, and small in size.
- Adjustable product weights, sizes and lengths, proportion of filling and skin
- User-friendly, efficient and hygienic
- Recording 100 sets of product data
- Optional accessories and devices available for KN120
- One-year warranty, parts replacement and technical support
- Diverse ingredients processing

Typical Products 製品內容



Egg Yolk Cake
蛋黃酥



Coxinha
巴西雞肉球



Moon Cake
月餅



Fish Balls
魚漿

Reconditioned Rheon KN135 Encrusting Machine

日本Rheon中古復新火星人包餡機

KN135

Specification 機器規格

Product Weight 產品重量	10-250g
Capacity 產能	10-100 pcs / min
Dimension 機台尺寸	L1266 x W888 x H1318 mm ; 250kg
Power Supply 電力	3Phase , 220V , 0.915KW , 4.2A



Features 機台特性

Rheon KN135 encrusting machine can process materials of diverse texture and character to fill and form multiple products. Users can make product into ball, bar, long stick and more. Also, the weight of products, the speed and the proportion of fillings and skins are adjustable. KN135 can record 100 sets of product data, assisting users to manage production process with ease.

- 機型輕巧，單機多用途，可以球狀成型、棒狀成型、連續棒狀成型。
- 產品重量、皮餡厚薄、生產速度皆可調整。
- 適合多樣化材質、柔軟黏膩產品亦相當適合。
- 由電腦控制，可記憶100組產品編號。
- 可外加雙重餡裝置、固型物裝置、乾粉裝置使產品多樣化。

- Different shutters available for diverse products
- Optional accessories and devices for different fillings and shapes
- Sustainable, and small in size
- Recording 100 sets of product data
- Adjustable product weights, sizes and lengths, proportion of filling and skin
- User-friendly, efficient, multifunctional and hygienic
- One-year warranty, parts replacement and technical support
- Diverse ingredients processing

Typical Products 製品內容



Designed Cookies
造型餅乾



Chocolate Chips Cookies
巧克力碎片餅乾



Moon Cake
月餅



Custard Mooncake
流沙月餅



Crystal Dumpling
水晶餃



Fish Balls
魚漿



Meat Dumpling
肉圓



Double Stuffed Cookies
雙餡曲奇

Reconditioned Rheon KN200/KN300 Encrusting Machine

日本Rheon中古復新火星人包餡機

KN200/KN300

Specification 機器規格

Product Weight 產品重量

- ① 10-300g
- ② 10-300g

Capacity 產能

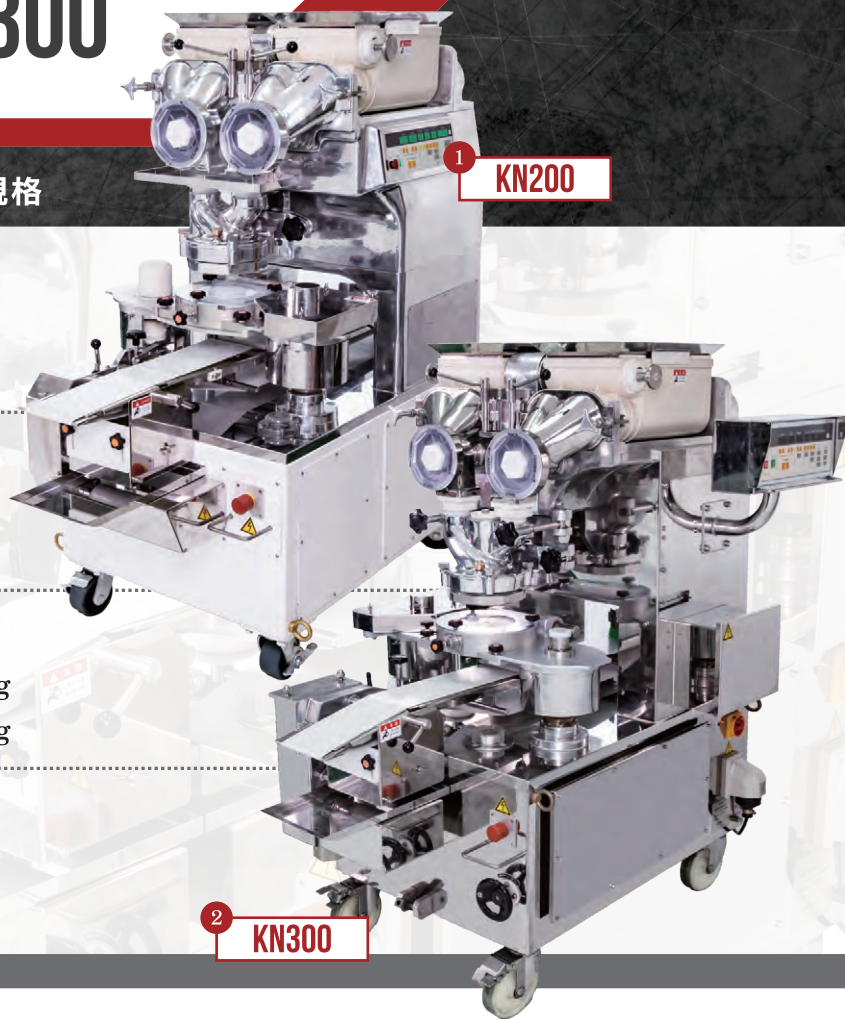
- ① 20-60pcs / min
- ② 10-60pcs / min

Dimension 機台尺寸

- ① L1540 x W650 x H1580 mm ; 430kg
- ② L2080 x W970 x H1540 mm ; 500kg

Power Supply 電力

- ① 3Phase , 220V , 1.99KW , 9A
- ② 3Phase , 220V , 2.015KW , 9A



HUNDRED MACHINERY

KN200/KN300

- 機型穩固耐用，單機多用途，可以球狀成型、棒狀成型、連續棒狀成型。
- 產品重量、皮餡厚薄、生產速度皆可調整。
- 適合多樣化材質、柔軟黏膩產品亦相當適合。
- 由電腦控制，可記憶100組產品編號。

Features 機台特性

Rheon KN200/300 encrusting machine can process materials of diverse texture and character to fill and form multiple products. Users can make product into ball, bar, long stick and more. Also, the weight of products, the speed and the proportion of fillings and skins are adjustable. KN200/300 can record 100 sets of product data, assisting users to manage production process with ease.

- Different shutters available for diverse products
- Optional accessories and devices available for KN300
- Recording 100 sets of product data
- Adjustable product weights, sizes and lengths, proportion of filling and skin
- User-friendly, efficient, multifunctional and hygienic
- One-year warranty, parts replacement and technical support
- Diverse ingredients processing

Typical Products 製品內容



Mochi
麻糬



Tangyuan
湯圓



Taro Pastry
芋頭酥



Ang Ku Kueh
紅龜粿

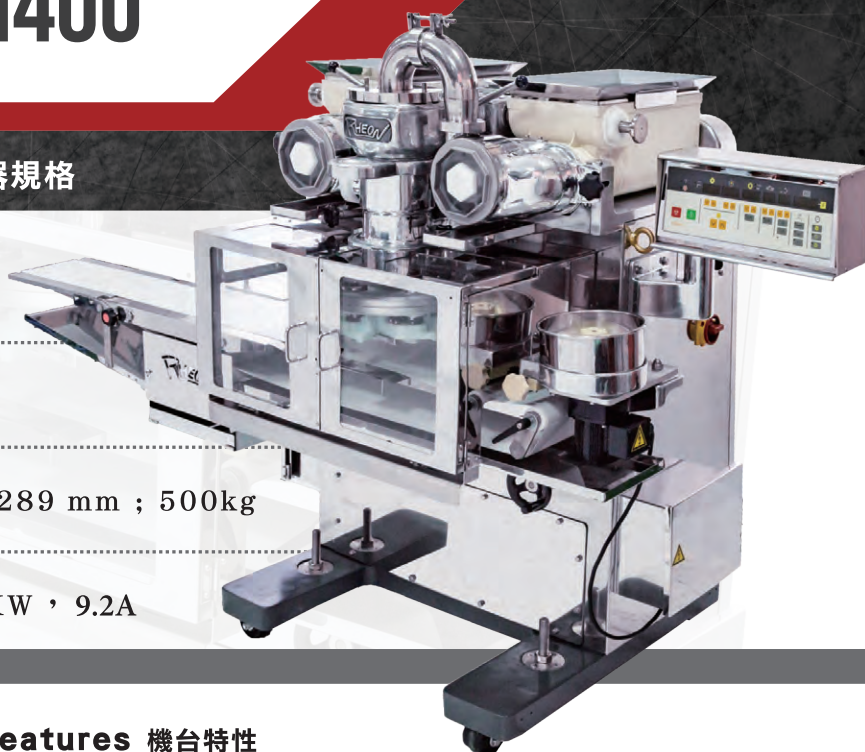
Reconditioned Rheon KN400 Encrusting Machine

日本Rheon中古復新火星人包餡機

KN400

Specification 機器規格

Product Weight 產品重量	10-300g
Capacity 產能	10-60pcs / min
Dimension 機台尺寸	L1790 x W948 x H1289 mm ; 500kg
Power Supply 電力	3Phase , 220V , 3.2KW , 9.2A



Features 機台特性

Rheon KN400 encrusting machine can process materials of diverse texture and character to fill and form multiple products. Users can make product into ball, bar, long stick and more. Also, the weight of products, the speed and the proportion of fillings and skins are adjustable. KN400 can record 100 sets of product data, assisting users to manage production process with ease.

- 機型輕巧，單機多用途，可以球狀成型、棒狀成型、連續棒狀成型。
- 產品重量、皮餡厚薄、生產速度皆可調整。
- 適合多樣化材質、柔軟黏膩產品亦相當適合。
- 由電腦控制，可記憶100組產品編號。
- 可外加雙重餡裝置、固型物裝置、乾粉裝置使產品多樣化。

- Different shutters available for diverse products
- Optional accessories and devices for diverse fillings and shapes
- Recording 100 sets of product data
- Adjustable product weights, sizes and lengths, proportion of filling and skin
- User-friendly, efficient and hygienic
- One-year warranty, parts replacement and technical support
- Diverse ingredients processing

HUNDRED MACHINERY

KN400

Typical Products 製品內容



Ang Ku Kueh
紅龜糕



Kubba
中東炸肉球



Arancini
義式燉飯球



Bao
包子



Icebox Cookies
馬賽克餅乾



Chocolate Chips Cookies
巧克力碎片餅乾



Date Bar
水果條餅乾



Maamoul
棗泥餅

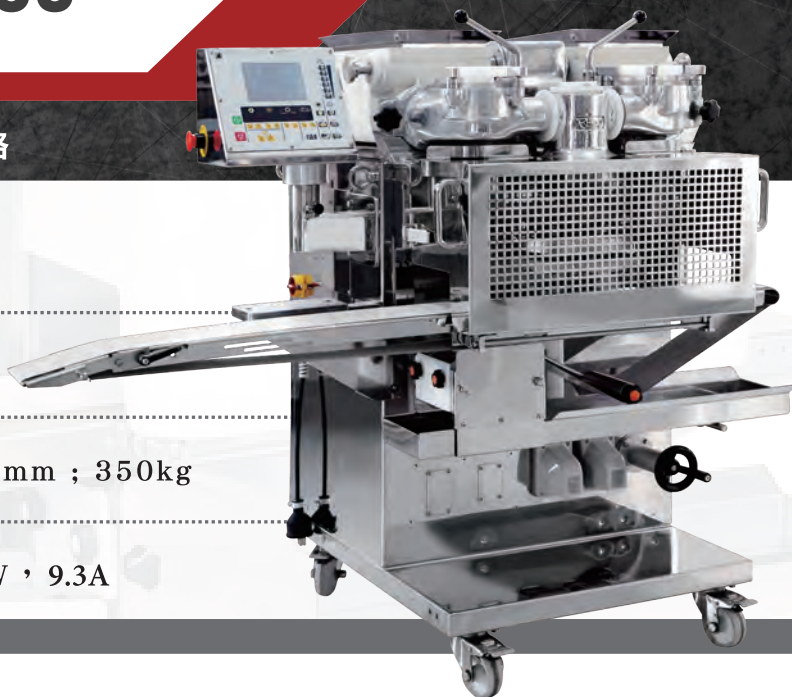
Reconditioned Rheon KN500 Encrusting Machine

日本Rheon中古復新火星人包餡機

KN500

Specification 機器規格

Product Weight 產品重量	10-250g
Capacity 產能	10-60pcs / min
Dimension 機台尺寸	L1324 x W895 x H1275 mm ; 350kg
Power Supply 電力	3Phase , 220V , 2.045KW , 9.3A



HUNDRED MACHINERY

KN500

- 彩色人機操作面板，可記憶100組不同產品的生產數據。
- 特殊進料組件設計，不破壞麵皮組織及食材。
- 零件容易拆裝並方便清洗。
- 機器精簡輕巧充餡，成型及分割一次完成。
- 產品重量，生產速度及皮餡比例皆可調整。
- 使用者可輕鬆更換二次整型模具等選配零件。

Features 機台特性

Rheon KN500 is suitable for fermented dough products, like breads and steamed buns. The special extrusion and flow controllers design preserved the texture of leavened dough, creating bakery food with fine quality. Also, the weight, shapes, length and the proportion of fillings and skins are adjustable. Optional accessories are also available for different products.

- Preserving fine texture for fermented dough
- Optional accessories and devices for different fillings and shapes
- Adjustable product weights, sizes and lengths, proportion of filling and skin
- One-year warranty, parts replacement and technical support
- Recording 100 sets of product data
- Equipped with a color LCD touch monitor

Typical Products 製品內容



Double Stuffed Cookies
雙餡曲奇



Egg Yolk Pastry Cake
蛋黃酥



Pineapple Cake
鳳梨酥



Mochi Cake
Q餅



Open Top Pizza
開口披薩



Designed Cookies
造型餅乾



Moon Cake
月餅



Momoyama Mooncake
桃山漸層月餅

Reconditioned Rheon KN511/KN600 Encrusting Machine

日本Rheon中古復新火星人包餡機

KN511/KN600

Specification 機器規格

Product Weight 產品重量

- ① 10-250g
- ② 10-300g

Capacity 產能

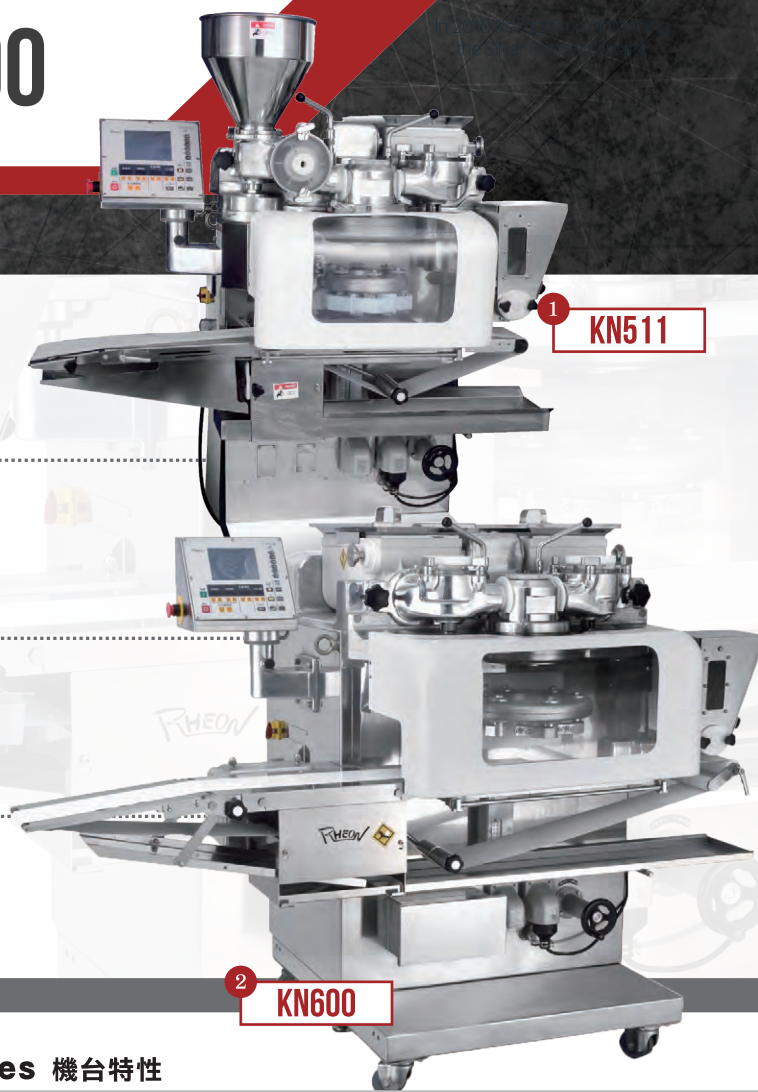
- ① 10-60pcs / min
- ② 10-60pcs / min

Dimension 機台尺寸

- ① L1324 x W920 x H1505 mm ; 350kg
- ② L1820 x W1000 x H1345 mm ; 750kg

Power Supply 電力

- ① 3Phase , 220V , 2.155KW , 10A
- ② 3Phase , 220V , 3.61KW , 7.3A



HUNDRED MACHINERY

KN511/KN600

KN511

- KN511是KN500最新升級款，專為麵包類產品設計。
- 特殊進料裝置設計，可生產各種不同的麵包及包餡的甜甜圈。
- 機器零件少，便利操作及清洗。

KN600

- 彩色人機操作面板，可記憶100組不同產品的生產數據。
- 特殊進料組件設計，不破壞麵皮組織及食材。
- 零件容易拆裝並方便清洗。
- 產品重量、皮餡厚薄、生產速度皆可調整。
- 可輕鬆更換二次整型模具等選配零件。
- 可長時間生產，生產過程完全安全且低噪音。

Features 機台特性

- Preserving fine texture for fermented dough
- Optional accessories and devices for different fillings and shapes
- Adjustable product weights, sizes and lengths, proportion of filling and skin
- One-year warranty, parts replacement and technical support
- Recording 100 sets of product data
- Equipped with a color LCD touch monitor

- Preserving fine texture for fermented dough
- Optional accessories and devices for different fillings and shapes
- Adjustable product weights, sizes and lengths, proportion of filling and skin
- One-year warranty, parts replacement and technical support
- Equipped with a 7.5-inch color LCD touch panel, recording 100 sets of product data

Typical Products 製品內容



Buuz
包子



Bun
壽桃



Bread Stick
麵包棍



Focaccia
佛卡夏

Reconditioned Rheon WN056/WN055 Encrusting Machine

日本Rheon中古復新火星人包餡機

WN056/WN055

Specification 機器規格

Product Weight 產品重量

- ① 10-250g
- ② 10-250g

Capacity 產能

- ① 20-120pcs / min
- ② 20-120pcs / min

Dimension 機台尺寸

- ① L1657 x W833 x H1422 mm ; 750kg
- ② L1735 x W980 x H1523 mm ; 700kg

Power Supply 電力

- ① 3Phase , 220V , 4.03 KW , 18.2A
- ② 3Phase , 220V , 4.01 KW , 16.4A



HUNDRED MACHINERY

WN056/WN055

- 獨特雙頭設計可擁有雙倍產能。
- 方便記錄100組不同產品的生產數據。
- 特殊進料組件設計，不破壞麵皮組織及食材。
- 產品重量、皮餡厚薄、生產速度皆可調整。
- 適合多樣化材質、柔軟黏膩產品亦相當適合。

Features 機台特性

Rheon WN056/WN055 are double line encrusting machines with double extruding design for double line production. The special extrusion and flow controllers design preserved the texture of leavened dough, creating bakery food with fine quality. Also, the weight, shapes, length and the proportion of fillings and skins are adjustable. Optional accessories are also available for different products.

- Double extruding design for double line production
- Preserving fine texture for fermented dough
- Optional accessories and devices for different fillings and shapes
- Adjustable product weights, sizes and lengths, proportion of filling and skin
- One-year warranty, parts replacement and technical support
- Recording 100 sets of product data
- Easy to disassemble for cleaning

Typical Products 製品內容



Cheese Meat Ball
起司肉丸



Bread
麵包



Pineapple Cake
鳳梨酥



Designed Cookies
造型餅乾

Maamoul / Moon Cake / Pineapple Cake Processing Line

棗泥餅 / 月餅 / 鳳梨酥自動生產線一貫作業



A HM-168 AUTOMATIC ENCRUSTING MACHINE

HM-168 全自動包餡成型機

B HM-101A AUTO SHAPING MACHINE

HM-101A 整型機

C HM-203 AUTO ALIGNING MACHINE

HM-203 自動排盤機

D HM-103 AUTO PRESSING MACHINE

HM-103 自動壓模機



B HM-101
AUTO STAMPING MACHINE

HM-101印餅機

For making moon cake or maamoul
另可換置HM-101印餅機製作月餅

HM-101A Specification 機器規格

Product Weight 產品重量	MAX250g / pcs
Capacity 產能	40pcs / min
Dimension 機台尺寸	L1100 x W530 x H1300 mm ; 100kg
Power Supply 電力	3Phase , 220/380V , 0.21KW , 1A

HM-203 Specification 機器規格

Product Weight 產品重量	--
Capacity 產能	10-60pcs / min
Dimension 機台尺寸	L1325 x W1340 x H1560 mm ; 500kg Pineapple Cake L2540 x W1340 x H1560 mm ; 500kg Moon Cake
Power Supply 電力	3Phase , 220V/380V , 0.75KW , 3.4A

HM-101 Specification 機器規格

Product Weight 產品重量	MAX250g / pcs
Capacity 產能	40pcs / min
Dimension 機台尺寸	L1600 x W700 x H1300 mm ; 225kg
Power Supply 電力	3Phase , 220/380V , 0.4KW , 2A

HM-103 Specification 機器規格

Product Weight 產品重量	--
Capacity 產能	--
Dimension 機台尺寸	L1000 x W880 x H1400 mm ; 200kg
Power Supply 電力	3Phase , 220V , 0.09KW , 0.41A

Typical Products 製品內容



Pineapple Cake
鳳梨酥



Maamoul
棗泥餅



Maamoul
棗泥餅



Moon Cake
月餅

SHAPING OPTIONAL ATTACHMENT

各式選配品介紹

HM-102 3D STAMPING MACHINE

HM-102 3D魔術手

HM-102 Specification 機器規格

Capacity 產能	20~25 pcs/min
Dimension 機台尺寸	L1600 x W530 x H1300 mm ; 307kg
Power Supply 電力	3Phase , 220V , 0.21KW



customized shapes
客製化造型



HM-358 ULTRASONIC SLICER DEVICE

HM-358 超音波刀

HM-358 Specification 機器規格


Capacity 產能	10 ~ 60 pcs / min
Dimension 機台尺寸	L890 x W730 x H1050 mm ; 95kg
Power Supply 電力	1Phase , 220V



customized shapes
客製化造型



HM-206 HIGH SPEED TYPE ALIGNING MACHINE

HM-206 高速排盤機 

HM-206 Specification 機器規格

Capacity 產能	20~100 pcs / min
Dimension 機台尺寸	L1660 x W1480 x H1680 mm ; 527kg
Power Supply 電力	3Phase , 220V , 3.66KW



HM-209 EXTENDED ALIGNING CONVEYOR

HM-209 伸縮排列機 

HM-209 Specification 機器規格

Capacity 產能	20~100 pcs / min
Dimension 機台尺寸	L1640 x W1100 x H1320 mm ; 220kg
Power Supply 電力	3Phase , 220V , 3KW



HM-326 PAPER SHEETER

HM-326 全自動鋪紙機

HM-326 Specification 機器規格

Capacity 產能	10 ~ 50 pcs / min
Dimension 機台尺寸	L1100 x W715 x H1005 mm ; 200kg
Power Supply 電力	1Phase , 220V , 1.4KW



- HM-326為減少人力所開發全自動鋪紙機，一分鐘最快可鋪紙50個產品。
- PLC操作面板，電腦可一次記憶10組數據，設定輸送帶，即可依設定速率鋪紙，操作簡單明瞭，容易上手，清潔又方便。
- 搭配包子饅頭機或包餡機，即可升級為全自動包子生產線，或是再搭配18摺捏花，更可為產品打造精緻完美摺痕。
- 選配排盤機，即可全自動排列一顆顆包子，操作簡單方便。

Automated Production Solutions

Frozen Foods :

Steamed bun, meat bun, vegetable bun, etc.

Features :

- Efficient and easy to operate
- PLC microcomputer processor with 10 sets of data memory
- Applicable for various production line

HM-328 & HM-368 Round Pastry Dough Sheeter/
Pineapple Bun Top Sheet Dispenser
酥皮展開機 / 菠蘿皮披覆機

HM-328 / HM-368

Specification 機器規格

Product Expanded Size 產品展開尺寸

- ① 10 cm Max.
- ② 9 cm Max.

Capacity 產能

- ① 10-60pcs / min
- ② 10-50pcs / min

Dimension 機台尺寸

- ① L1050 x W752 x H1153 mm ; 150kg
- ② L867 x W833 x H1450 mm ; 150kg

Power Supply 電力

- ① 1Phase , 220V , 1.2 KW
- ② 3Phase , 220V , 0.78KW



HUNDRED MACHINERY

HM-328/HM-368

HM-328

- PLC操作面板，擁有10種微電腦記憶。
- 精準展開產品，輕鬆調整展開大小與厚度。
- 多支滾輪旋轉擀開餅皮，模仿老師傅人工擀皮手法，節省師傅的作業時間，同時還保留酥餅的口感和筋性。

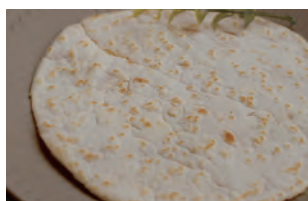
HM-368

- 人機介面操作，伺服驅動控制系統。
- 光學感測，精準定位，實現完美的圓形產品樣貌。
- 優質麵糰進料系統，得以保有食材原有口感。

Features 機台特性

- ① · Imitating handmade rolling, the rollers will flatten the dough evenly to preserve the texture of the dough
- ① · PLC microcomputer processor with 10 sets of data memory
- ① · Adjustable diameter and thickness of the pastry
- ② · Touch panel system, Servo drive control system
- ② · Optical Sensor, Precise Positioning
- ② · High-quality extruding system preserves the original taste of the crust

Typical Products 製品內容



Paratha
印度烤餅



Butter Pastry
酥餅



Mochi Cake
菠蘿皮雞肉鬆Q餅



Pineapple Bun
菠蘿麵包

HM-668 & HM-688 Multi-function Meat Bun /
Steam Bun Processing Machine 包子 / 饅頭成型機

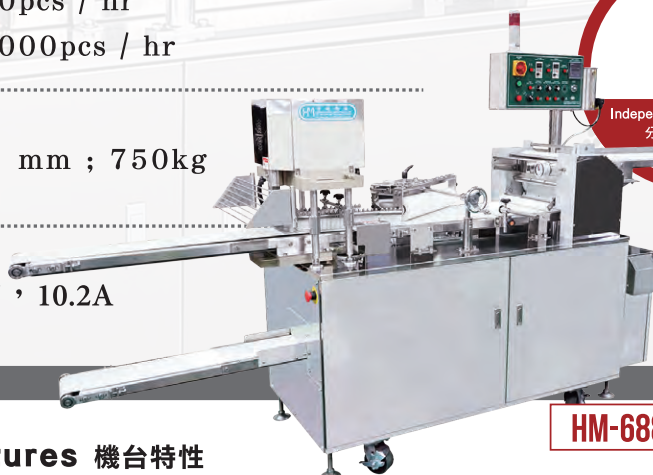
HM-668/HM-688

Specification 機器規格

Product Weight 產品重量	Meat Bun 包子 : 30-150g
	Steam Bun 饅頭 : 10-600g
Capacity 產能	Meat Bun 包子 : 600-4000pcs / hr
	Steam Bun 饅頭 : 600-12000pcs / hr
Dimension 機台尺寸	L3623 x W680 x H1769 mm ; 750kg
Power Supply 電力	3Phase , 220V , 2.25KW , 10.2A



HM-668



Independent Filling Feeder
分離式自動餡機

HM-688

Features 機台特性

HM-668/HM688 are rolling and stuffing machines for steamed bun and steamed bread forming. The forming method preserved the elasticity of the dough, creating the handmade texture. HM-668 is equipped with a detachable filling feeder which is suitable for all kinds of buns and breads. Optional accessories and devices are available for products of diverse shapes and fillings. Easy to operate, simple to clean and assemble, HM-668 is efficient, user-friendly and hygienic.

- Roller wrapping forming method, preserving the texture of dough.
- Optional devices for diverse products, like bao bun, and vegan bun.
- Detachable independent filling feeder for HM-688
- User-friendly, efficient and hygienic

HUNDRED MACHINERY

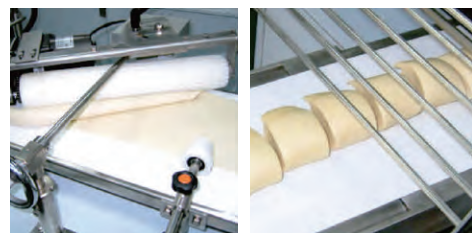
HM-668/HM-688

- 分離式料斗，更換餡料時迅速方便，不費力氣。
- 生產速度可隨時調整，保養簡便，清洗容易，符合國際食品衛生標準。
- 另外增加不同的成型配備可生產不同的產品，如刈包、阿拉棒、牛奶棒。

• Chinese Bun Processing 包子成型過程



• Steam Bun Processing 饅頭成型過程



Typical Products 製品內容



Bao Bun
刈包



Vegetable Bun
菜包



Meat Bun
肉包



Bicolor Steam Bun
雙色饅頭

HM-698 Multi-function Meat Bun / Steam Bun /
Silk Bun Processing Machine 包子 / 饅頭 / 銀絲捲成型機

HM-698

Specification 機器規格

產品重量 Product Weight	Meat Bun 包子：30-150g Steam Bun 饅頭：10-600g
產能 Capacity	Meat Bun 包子：600-4000pcs / hr Steam Bun 饅頭：600-12000pcs / hr
機台尺寸 Dimension	L3623 x W680 x H1769 mm ; 750kg
電力 Power Supply	3Phase , 220V , 2.25KW , 10.2A



HUNDRED MACHINERY

HM-698

Features 機台特性

- 分離式料斗，更換餡料時迅速方便，不費力氣。
- 生產速度可隨時調整，保養簡便，清洗容易，符合國際食品衛生標準。
- 另外增加不同的成型配備可生產不同的產品，如刈包、牛奶棒。

HM-698 was designed to produce Chinese steamed bun, bakery foods made of straight dough, old dough and sponges. The rolling and wrapping method preserved the elasticity of the dough, creating the handmade texture. HM-698 is compatible with special hopper for vegetable fillings. Optional accessories and devices are available for products of diverse shapes and fillings. Easy to operate, simple to clean and assemble, HM-668 is efficient, user-friendly and hygienic.

- Roller wrapping forming method, preserving the texture of dough.
- Optional devices for diverse products, like duck bun, steamed silk thread roll, and vegan bun.
- Detachable independent filling feeder
- User-friendly, efficient and hygienic

Typical Products 製品內容



Silk Bun
銀絲卷



Meat Bun
肉包



Bun
壽桃



Bao Bun
刈包

HM-688 CHINESE MEAT BUN STEAM BUN FORMING MACHINE

HM-688 包子/饅頭成型機



HM-688 Specification 機器規格

Product Weight 產品重量	Meat Bun 包子: 30-150g Steam Bun 饅頭: 10-600g
Capacity 產能	Meat Bun 包子: 600-4000pcs / hr Steam Bun 饅頭: 600-12000pcs / hr
Dimension 機台尺寸	L3623 x W680 x H1769 mm ; 750kg
Power Supply 電力	3Phase , 220V , 2.25KW , 10.2A

HM-320 ROLLING & DIVIDING MACHINE

HM-320 連續自動壓麵分割整型機(HM-322和321一起使用時)



HM-322 DOUGH DIVIDING MACHINE

HM-322 麵皮分割整型機

HM-322 Specification 機器規格

Product Weight 產品重量	--
Capacity 產能	--
Dimension 機台尺寸	L2411 x W638 x H1204 mm ; 315kg
Power Supply 電力	3Phase , 220V , 1.25KW , 6A



HM-321 DOUGH SHEETING MACHINE

HM-321 壓麵機

HM-321 Specification 機器規格

Product Weight 產品重量	Dough 15kg
Capacity 產能	--
Dimension 機台尺寸	L1338 x W1027 x H1365 mm ; 525kg
Power Supply 電力	3Phase , 220V , 2.25KW , 10.2A

Typical Products 製品內容



Bun
壽桃



Steam Bun
饅頭



Bao Bun
刈包



Vegetable Bun
菜包

此產品須另選購配件
This product requires optional
devices and accessories.

Auto Spring Roll Pastry Sheet Making Machine

全自動春捲皮機系列

HUNDRED MACHINERY



HM-610 AUTO PASTRY SHEET MAKING MACHINE
HM-610 全自動春捲皮機

Specification 機器規格

Product Thickness 產品厚度	0.28-0.78mm
Capacity 產能	1300pcs / hr
Dimension 機台尺寸	L6600 x W850 x H1600 mm
Power Supply 電力	3 Phase , 220 V , 15 KW , 68.2A



HM-620 AUTO PASTRY SHEET MAKING MACHINE
HM-620 全自動春捲皮機

Specification 機器規格

Product Thickness 產品厚度	0.28-0.78mm
Capacity 產能	2700pcs / hr
Dimension 機台尺寸	L7200 x W1200 x H2000 mm
Power Supply 電力	3 Phase , 220 V , 32 KW , 145.4A



HM-630 SEMI-AUTO SPRING ROLL MAKING MACHINE
HM-630 半自動春捲皮機

Specification 機器規格

Product Thickness 產品厚度	0.28-0.78mm
Capacity 產能	1300pcs / hr
Dimension 機台尺寸	L6600 x W850 x H1600 mm
Power Supply 電力	3 Phase , 220 V , 15 KW , 68.2A

AUTO SPRING ROLL PASTRY SHEET MAKING MACHINE AUTO SPRING ROLL PASTRY SHEET MAKING MACHINE AUTO SPRING ROLL PASTRY SHEET MAKING MACHINE



HM-660 TWIN BAKED DRUM PASTRY SHEET MAKING MACHINE
HM-660 雙烤輪春捲皮機

Specification 機器規格

Product Thickness 產品厚度	0.28-0.78mm	Dimension 機台尺寸	L6800 x W1420 x H1900 mm
Capacity 產能	5400pcs / hr	Power Supply 電力	3 Phase , 220 V , 63 KW , 286A

HM-868 Multi-function Bread / Paratha Processing Machine

麵包 / 麵糰成型機

HM-868

Specification 機器規格

Product Weight 產品重量

Meat Bun 包子：30-150g

Steam Bun 饅頭：10-600g

Capacity 產能

Meat Bun 包子：600-4000pcs / hr

Steam Bun 饅頭：600-12000pcs / hr

Dimension 機台尺寸

Standard. L4200 x W1300 x H1750 mm ; 900kg

Optional. L5230 x W1300 x H1750 mm ; 900kg

Power Supply 電力

3Phase , 220V , 3.75KW , 17A

EU-70L INDEPENDENT ENCRUSTING UNIT FOR MAKING PASTRY PRODUCT 酥皮類產品專用

HM-868 STANDARD TYPE 標準型



HUNDRED MACHINERY

HM-868

- HM-868採用三段漸進式打薄方式將麵皮壓成合適厚度，由自動給餡機將餡料充填至麵皮上，經由成形捲輪將麵皮捲成長條狀，最後以捏刀成型為球狀或是長條狀，不破壞麵皮筋性，完全保持手工原味。
- 生產速度、製品大小、重量、內餡多寡皆可隨時調整與變更。
- 可加購選配件，分離式自動給餡機幫助您更快速進行餡料補充，此外，獨立式切刀座設計保養簡便、清洗容易。

Features 機台特性

HM-868 adapted a three-step rolling process with 9 revolving rollers to roll the dough flat. To preserved the elasticity of the dough, creating handmade texture. Additionally, HM-868 is equipped with a detachable filling feeder and independent cutter which can produce with flexibility. With independent encrusting units of different shutters, HM-868 can serve as a multipurpose bread paratha machine. Moreover, HM-868 can go with HM-321 automatic dough sheeter and HM-203 automatic aligning machine to establish a complete production line.

- Three-step rolling process and 9 revolving rollers to flatten the dough gradually
- Roller wrapping forming method, preserving the texture of dough.
- Optional devices for diverse products, like duck bun, steamed silk thread roll, and vegan bun.
- Detachable independent filling feeder
- User-friendly, efficient and hygienic
- EU-70L Independent encrusting unit for pastry products
- A complete auto production line with auto dough sheeter and auto aligning machine

Typical Products 製品內容



Egg Yolk Pastry Cake
四重包酥皮蛋黃酥



Bicolor Steam Bun
雙色饅頭



Vegetable Bun
菜包



Mushroom Egg Yolk Meat Bun
香菇蛋黃肉包

此產品須另選購配件
This product requires optional
devices and accessories.



1 HM-203 AUTOMATIC ALIGNING MACHINE

HM-203 自動排盤機

2 HM-326 AUTOMATIC BAKING PAPER PLACING MACHINE

HM-326 全自動鋪紙機

3 HM-032 18-FOLD STEAMED BUN SHAPING DEVICE

HM-032 18摺捏花機

4 EU-70L ENCRUSTING SHUTTER UNIT

EU-70L 小籠湯包夾具座

5 HM-868 MULTI-PURPOSE BREAD MACHINE

HM-868 包子饅頭、麵包、麵糰包餡成型機

6 HM-322 DOUGH DIVIDING MACHINE

HM-322 麵皮分割整型機

7 HM-321 DOUGH SHEETING MACHINE

HM-321 連續壓麵機

● HM-160 BUN DOUBLE FILLING FEEDER

HM-160 雙重餡給餡機



18 Fold Three - Filling Bun
18摺四重包



Cinnamon Bun
肉桂捲



Bagel
貝果

1	HM-203 Specification 機器規格
Capacity 產能	10~60 pcs / min
Dimension 機台尺寸	L2540 x W1340 x H1560 mm ; 500kg
Power Supply 電力	3Phase , 220/380V , 0.75KW

2	HM-326 Specification 機器規格
Capacity 產能	10~50 pcs / min
Dimension 機台尺寸	L1100 x W715 x H1005 mm ; 200kg
Power Supply 電力	1Phase , 220V , 1.4KW

3	HM-023 Specification 機器規格
Capacity 產能	10~50 pcs / min
Dimension 機台尺寸	L922 x W710 x H1298 mm ; 200kg
Power Supply 電力	3Phase , 220V , 0.2KW

4	EU-70L Specification 機器規格
Capacity 產能	10~100 pcs / min
Dimension 機台尺寸	L1380 x W930 x H1020 mm ; 180kg
Power Supply 電力	3Phase , 220V , 0.2KW

5	HM-868 Specification 機器規格
Capacity 產能	600~1000 pcs / hr
Dimension 機台尺寸	L4200 x W1300 x H1750 mm ; 900kg
Power Supply 電力	3Phase , 220V , 3.75KW

6	HM-322 Specification 機器規格
Capacity 產能	-
Dimension 機台尺寸	L2410 x W638 x H1200 mm ; 315kg
Power Supply 電力	3Phase , 220V , 1.25KW

7	HM-321 Specification 機器規格
Capacity 產能	-
Dimension 機台尺寸	L1338 x W1027 x H1365 mm ; 525kg
Power Supply 電力	3Phase , 220V , 2.25KW

●	HM-160 Specification 機器規格
Capacity 產能	-
Dimension 機台尺寸	L1010 x W820 x H1300 mm ; 230kg
Power Supply 電力	3Phase , 220/380V , 0.8KW

Multi-purpose Dumpling Forming Machine

多功能充餡成型機

HM-737

Specification 機器規格

Product Weight 產品重量

- ① 5-75g
- ② 10-70g

Capacity 產能

- ① 1800-10,000pcs / hr
- ② 10-60pcs / min

Dimension 機台尺寸

- ① L900 x W550 x H1570 mm ; 300kg
- ② L1380 x W930 x H1020 mm ; 180kg

Power Supply 電力

- ① 3 Phase , 220 V , 2.2 KW , 10A
- ② 3 Phase , 220 V , 0.78 KW , 3.5A



1 HM-737

2 EU-70L INDEPENDENT ENCRUSTING UNIT FOR MAKING BALL SHAPE PRODUCT
湯包餡餅專用

HUNDRED MACHINERY

HM-737

HM-737為小型多功能成型機，適合製作各式中式餃子，藉由更換不同的模具可製作各式餃子類產品，如水餃、鍋貼、蒸餃、煎餃、義大利餃、俄羅斯餃...等等，此機台適合生產中式菜肉餡，水餃黏合邊的樣式、厚度、寬度等有多樣設計可供選擇。模具為客製化製作，可依據客戶需求的尺寸去做訂製，該機台內含多顆馬達可獨立控制外皮、內餡、模具的速度，以方便客戶調整出需求的產能和內餡量。

Features 機台特性

- ①
 - Customized molds for multiple foods production
 - Powder scatter for even powder distribution
 - Independent motors for extrusion control
 - Water-cooling system for maintaining dough quality
- ②
 - Expanding production options for round dumplings
 - Separated motors for conveyors and shutter
 - Equipped the push up device under the conveyor to hold the products
 - Three blade sets : 6 blades, 9 blades, 12 blades

Typical Products 製品內容



Xiao Long Bao
小籠湯包



Meat Pie
餡餅



Egg Roll
春捲



Dumpling
水餃



Pelmeni
俄羅斯餃子



Ravioli
義大利餃



Pierogi
波蘭餃子



Samosa
咖哩餃

Automatic Multi-purpose Forming Machine

多功能充餡成型機

HM-777

Specification 機器規格

Product Weight 產品重量

- ① 5-250g
- ② 10-100g

Capacity 產能

- ① 1800-20,000pcs / hr
- ② 10-100pcs / min

Dimension 機台尺寸

- ① L1320 x W600 x H1640 mm ; 420kg
- ② L1380 x W930 x H1020 mm ; 180kg

Power Supply 電力

- ① 3Phase , 220V , 3.75KW , 17A
- ② 3Phase , 220V , 0.78KW , 3.5A



EU-70L INDEPENDENT ENCRUSTING UNIT FOR MAKING BALL SHAPE PRODUCT

湯包餡餅專用

HUNDRED MACHINERY

HM-777

HM-777為升級版機型可製作各式內餡如，菜肉餡、起司餡、果醬餡、馬鈴薯泥或熟肉餡，HM-777除了可製作這些內餡外，另外還針對純蔬菜的內餡去做機台設計改良，此設計可改善蔬菜餡在擠壓所造成的出水問題，並可保有蔬菜顆粒口感，此設計已擁有多國專利。該機台除了針對蔬菜內餡輸出結構擁有專利外，另有其他獨家專利設計如模具旋鈕移動設計，能快速簡易的調整模子置中位置，防止產品大小顆問題。

Features 機台特性

- ①
 - Customized molds for multiple foods production
 - Patented flour duster for even powder scattering
 - Water-cooling system for maintaining dough quality
 - 2 independent motor to control the speed of filling extrusion
 - Gear pump filling system that maintains the texture of fillings
 - Improved compound nozzle for making bigger product
 - Centering adjustment device for moulds displacement
 - Stainless steel body and gear box
- ②
 - Expanding production options for round dumplings
 - Separated motors for conveyors and shutter
 - Equipped the push up device under the conveyor to hold the products
 - Three blade sets : 6 blades, 9 blades, 12 blades

Typical Products 製品內容



Samosa
咖哩餃



Calzone
披薩餃



Vegetable Bun
水煎包



Fried Leek Dumplings
韭菜盒子



Xiao Long Bao
小籠湯包



Ravioli
義大利餃



Empanada
阿根廷餡餃



Dumpling
水餃

Dumpling Forming Machine - Dough Sheet Type

麵帶式水餃機

HM-717

Specification 機器規格

Product Weight 產品重量	18-30g Max
Capacity 產能	3,000-10,000 pcs / hr
Dimension 機台尺寸	L1950 x W690 x H1460 mm ; 230kg
Power Supply 電力	3Phase , 220V , 2.2KW , 10A



HUNDRED MACHINERY

HM-717

- 突破傳統擠壓式成型，改由麵帶式直接輾壓成型，保留麵皮手工Q彈口感。
- 採雙滾模輾壓，外型如手工製作，圓潤飽滿。
- 高速生產，麵皮自製，節省人力及物料成本，更便於食安控管。
- 機型輕巧不佔空間，清洗簡易。

Features 機台特性

Using stainless steel and food-grade plastic, HM-717 provides hygienic production to ensure food safety. Innovative wrapping method solved the heating problem and dough gelatinization caused by extrusion. HM-717 rolls the dough into sheet without extruding doughs with screws, preserving dough quality and chewy texture. Moreover, HM-717 can create round and full dumplings with 2 patented 3D molds to form the shape and appearance resembling handmade ones.

- Sheet type wrapper design to create handmade texture
- Two dumpling molds to form full and round dumplings
- Applicable to automatic dough recycling machine
- Easy to disassemble for cleaning

Typical Products 製品內容



Dumpling
水餃



Dumpling
水餃



Dumpling
水餃



Dumpling
水餃



Dumpling
水餃



Steamed Dumpling
蒸餃



Gyoza
煎餃



Gyoza
煎餃

HM-727

Specification 機器規格



Product Weight 產品重量	30g Max
Capacity 產能	600-2,500pcs / hr
Dimension 機台尺寸	L820 x W630 x H635 mm ; 64kg
Power Supply 電力	Single Phase , 220V , 0.24 KW , 1.1A

HUNDRED MACHINERY

HM-727

- 突破傳統擠壓式成型，改由麵帶式直接輾壓成型，保留麵皮手工Q彈口感。
- 採雙滾模輾壓，外型如手工製作，圓潤飽滿。
- 麵皮自製，節省人力及物料成本，更便於食安控管。
- 機型輕巧不佔空間，清洗簡易。

Features 機台特性

HM-727 is a desktop dumpling machine made of stainless steel and food-grade plastic. Innovative wrapping method solved the heating problem and dough gelatinization caused by extrusion. HM-727 rolls the dough into sheet without extruding doughs with screws, preserving dough quality and chewy texture. Moreover, HM-727 can create round and full dumplings with 2 patented 3D molds to form the shape and appearance resembling handmade ones.

- Desktop machine, easy to disassemble for cleaning
- Sheet type wrapper design to create handmade texture
- Two dumpling molds to form full and round dumplings

Typical Products 製品內容



Steamed Dumpling
蒸餃



Dumpling
水餃



Gyoza
煎餃



Gyoza
煎餃



Dumpling
水餃



Dumpling
水餃



Dumpling
水餃



Dumpling
水餃

HM-80 Double Line Shaomai Forming Machine

全自動雙列燒賣成型機

HM-80



Specification 機器規格

Product Weight 產品重量	14-30g
Capacity 產能	5000-6000pcs / hr
Dimension 機台尺寸	L1400 x W1000 x H2100 mm ; 700kg
Power Supply 電力	3Phase , 220V , 2.5KW , 11.4A



HUNDRED MACHINERY

HM-80

Features 機台特性

- **可生產高水準產品**
穩定的燒賣生產製程，製造厚薄均勻的燒賣皮及出餡量，製作素質穩定的燒賣，並備有自動整列功能，可整齊排列燒賣。
- **特殊轉盤成型系統可提高燒賣產能**
特殊轉盤設計可以一次製作兩顆燒賣，平均產能可達每小時5,000顆燒賣。
- **操作以及清潔方便**
只需將絞拌好的麵糰及餡料各別放入料斗中後，即可藉由機器自動化生產。

HM-80 is an automatic double line shumai forming machine for automatic dim sum production line. Providing high quality shumai, HM-80 can produce shumai wrapper automatically. All you need to do is put the kneaded dough into the dough hopper, HM-80 will roll the dough into even and thin wrapper. Then, the cutter will cut the wrapper into two square and placed into the rolling plate. The special rotating design of the forming plate can fill and form two shumai at a time, increasing the capacity greatly. Moreover, HM-80 is equipped with two robotic grippers to move the shumai from the forming plate to the conveyor automatically. Also, HM-80 is user-friendly and easy to clean. Users can disassemble the parts and clean the wrapper maker with blow gun and water. Producing 5,000 pieces per hour, HM-80 is an efficient automatic shumai production line for dim sum supply.

- Automatic wrapper production for even skins
- Adjustable wrapper and filling proportion
- Automatic robotic arms and aligning system
- Easy to disassemble for cleaning

Typical Products 製品內容



Shaomai
燒賣



Shaomai
燒賣



Shaomai
燒賣



Forming and Aligning Automatically
燒賣自動排列成型

Reconditioned Kobird AR-3 Encrusting Machine

日本Kobird中古復新機系列

AR-3/AR-3-III

Specification 機器規格

Product Weight 產品重量

- ① 3-80g
- ② 3-80g

Capacity 產能

- ① 4800-17000pcs / hr
- ② 4800-12000pcs / hr

Dimension 機台尺寸

- ① L1780 x W950 x H2180 mm ; 800kg
- ② L1900 x W950 x H2180 mm ; 820kg

Power Supply 電力

- ① 3Phase , 220V , 2.93KW , 13.3A
- ② 3Phase , 220V , 2.5KW , 11.4A

1 AR-3

2 AR-3-III

HUNDRED MACHINERY

AR-3/AR-3-III

Features 機台特性

- 此二款機型皆可一次生產二列產品，特別適用於量產小麻糬等美食。
- 能輕易的包出較小的包餡食品。
- 產品重量、裹粉量可隨意調整。
- 成品自然，如同手工口感。

- The quality of product is similar as hand made one.
- It produces smaller filled mochi in large quantity easily.
- The size of product is adjustable.
- The quantity of flour sprinkling is adjustable.

Typical Products 製品內容



Marshmallow
棉花糖



Mochi
麻糬



Black Sugar Mochi
黑糖麻糬



Red Bean Mochi
紅豆麻糬

Reconditioned Kobird AR-7F-III & AR-88 & AR-800
Encrusting Machine 日本Kobird中古復新包餡機系列

AR-7F-III/AR-88/AR-800

Specification 機器規格

Product Weight 產品重量

- ① 5-150g
- ② 5-350g
- ③ 5-150g

Capacity 產能

- ① 1200-2400pcs / hr
- ② 1200-3600pcs / hr
- ③ 1200-3600pcs / hr

Dimension 機台尺寸

- ① L1300 x W850 x H1800 mm ; 400kg
- ② L1350 x W845 x H1340 mm ; 380kg
- ③ L1395 x W845 x H1353 mm ; 380kg

Power Supply 電力

- ① 3Phase , 220V , 1.84KW , 8.4A
- ② 3Phase , 220V , 1.29KW , 6A
- ③ 3Phase , 220V , 1.39KW , 6.3A



HUNDRED MACHINERY

AR-7F-III/AR-88/AR-800

AR-7F-III

- 適用於生產麻糬、大福餅、日本點心、餅乾等。
- 不需灑粉，產品口感更加。
- 產品重量穩定。
- 成型過程不破壞皮餡料，呈現原食材口感。
- 非常柔軟的產品也可生產。

AR-88-II / AR-800-III

- 機台輕巧，保養容易。
- 彩色液晶觸控操作面板，操作簡單。

Features 機台特性

AR-7F-III

- It's suitable for making mochi in stable weight
- It will not damage taste of casing and filling during forming process, even the soft product.

AR-88-II / AR-800-III

Reconditioned Kobird Encrusting and Shaping Machine Model AR-88 & AR-800 are specialized in producing a wide range of bakery, Snake, and Confectionery Foods. It's easy to operate as ball shape, bar shape and pillow shape products. The ratio of casing and filling is fully adjustable by PLC control.

Typical Products 製品內容



Dinner Roll
小餐包



Red Bean Mochi
紅豆麻糬



Moon Cake
翡翠月餅



Pineapple Cake
鳳梨酥



<https://www.hmfood.com>

**Taiwan
Headquarters**
台灣總公司

T +886-6-268-3899
F +886-6-268-1807
hmfood@hmfood.com

**No. 136, Sec. 1, Min'an Rd., Rende Dist.,
Tainan City 717011, Taiwan**

717011臺南市仁德區民安路一段136號

Taipei Office
北部辦事處

T +886-2-8630-4677
F +886-6-268-1807
hmfood@hmfood.com

**No.163, Museum Rd., Bail Dist.,
New Taipei City 249005, Taiwan**

249005 新北市八里區博物館路163號

Suzhou Branch
蘇州分公司

T +86-512-8285-3168
F +86-512-6328-2393
hmfood@hmfood.com.cn

**No.1388, Sin-Jhou Rd., The Foho
Developmentzone of Wujiang City,
Jiangsu, China**

江蘇省吳江市汾湖經濟開發區莘周路1388號



WEBSITE



HundredMachinery



hundredmachinery



hmfood_1996

Food Processing
Machine Manufacturer

Taiwan Headquarters 台灣總公司

T +886-6-268-3899 F +886-6-268-1807

**No. 136, Sec. 1, Min'an Rd., Rende Dist.,
Tainan City 717011, Taiwan**

717011 臺南市仁德區民安路一段136號

hmfood@hmfood.com

Taipei Office 北部辦事處

T +886-2-8630-4677 F +886-6-268-1807

**No.163, Museum Rd., Bail Dist.,
New Taipei City 249005, Taiwan**

249005 新北市八里區博物館路163號

hmfood@hmfood.com

Suzhou Branch 蘇州分公司

T +86-512-8285-3168 F +86-512-6328-2393

**No.1388, Sin-Jhou Rd., The Foho Developmentzone
of Wujiang City, Jiangsu, China**

江蘇省吳江市汾湖經濟開發區莘周路1388號

hmfood@hmfood.com.cn



[HM WEBSITE](#)



[f HundredMachinery](#)



[hundredmachinery](#)



[hmfood_1996](#)